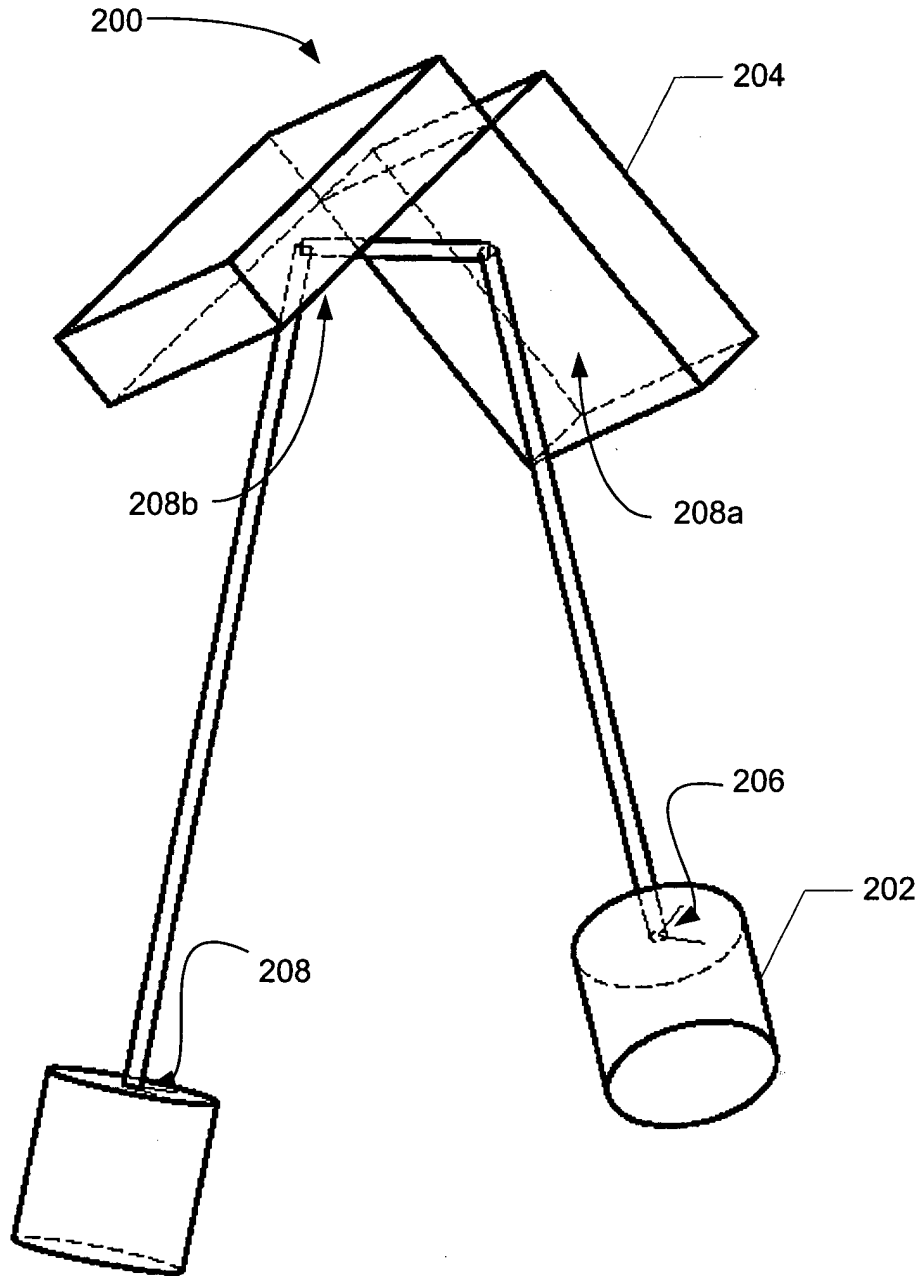


102 104 106 108 110

FIG. 1



FOR "4299T660"

FIG. 2

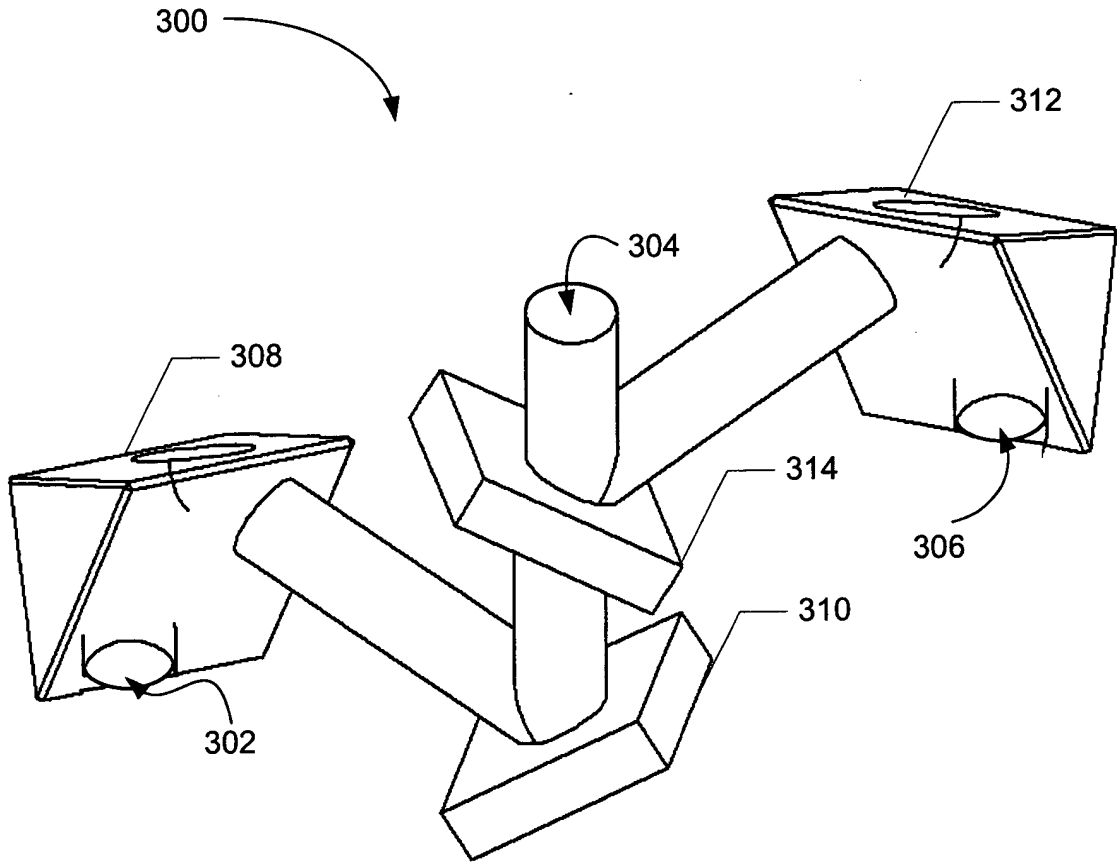


FIG. 3

FIG. 3

4/22

FIG. 4

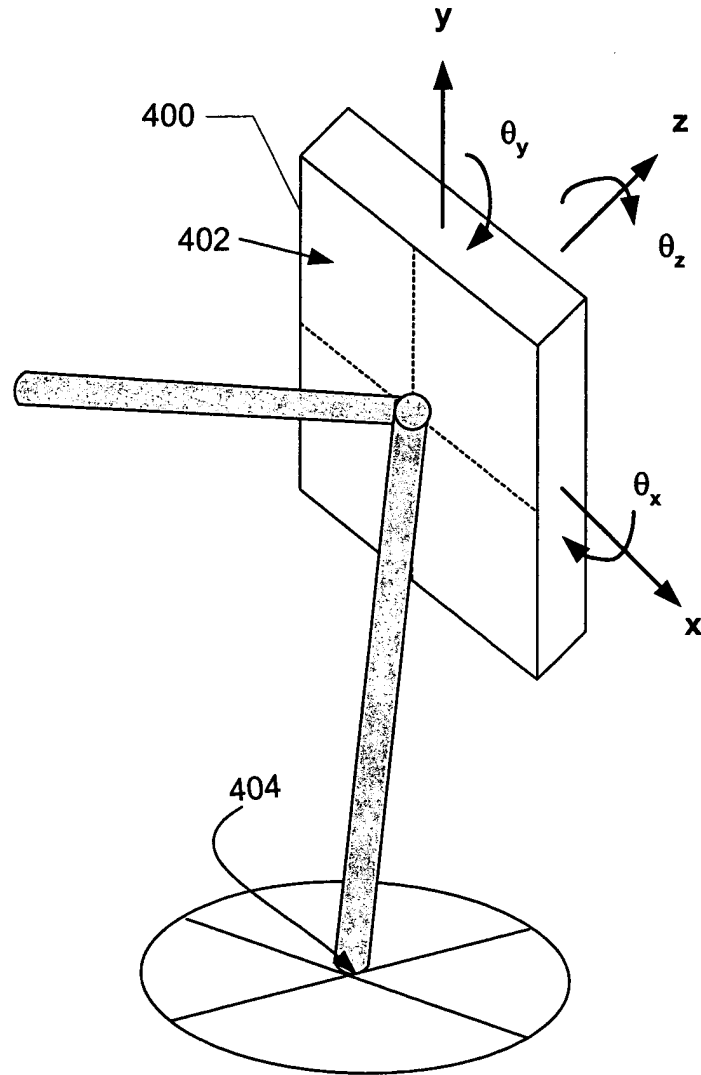


FIG. 4

FIG. 5

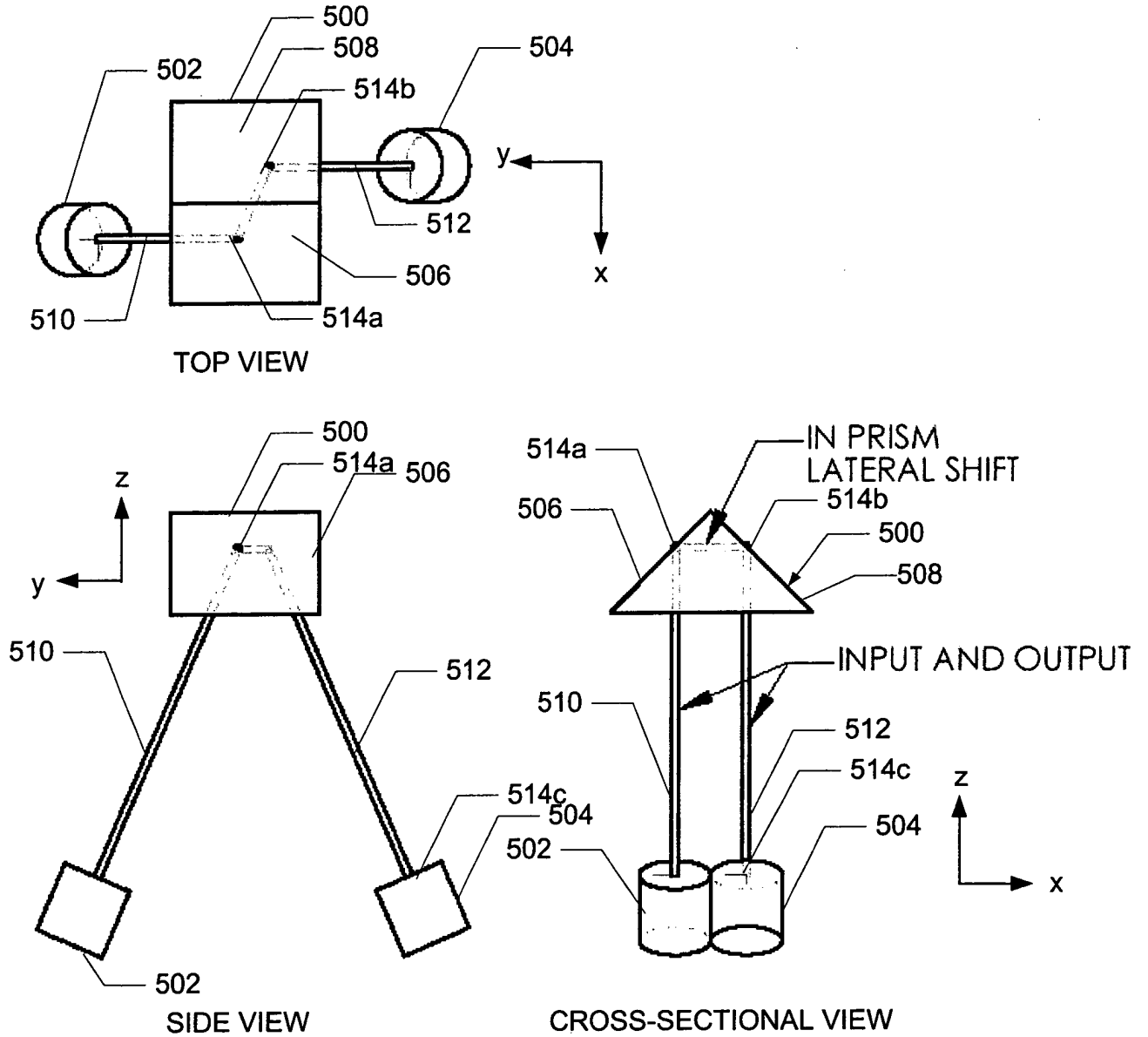
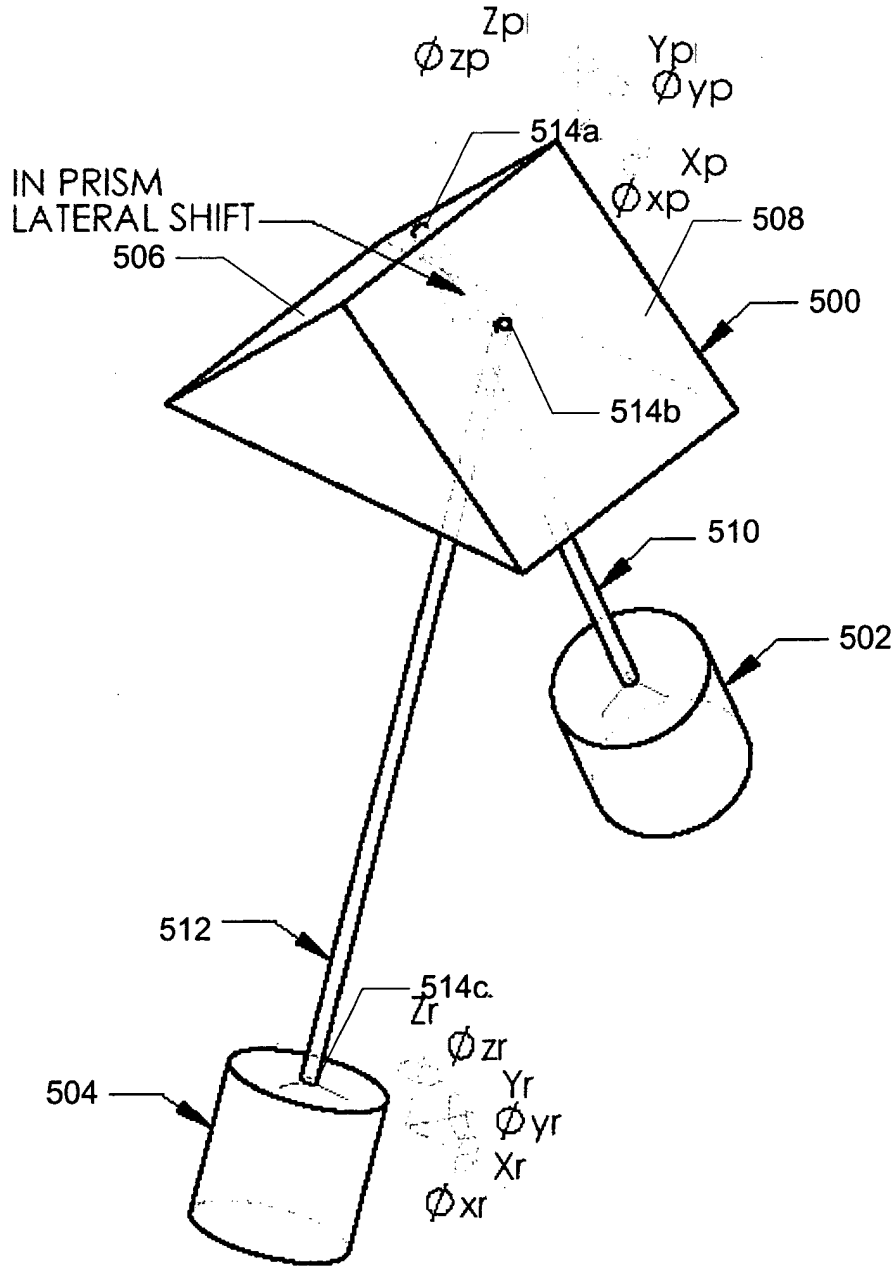


FIG. 5

6/22



091624-02201

FIG. 6

FIG. 7

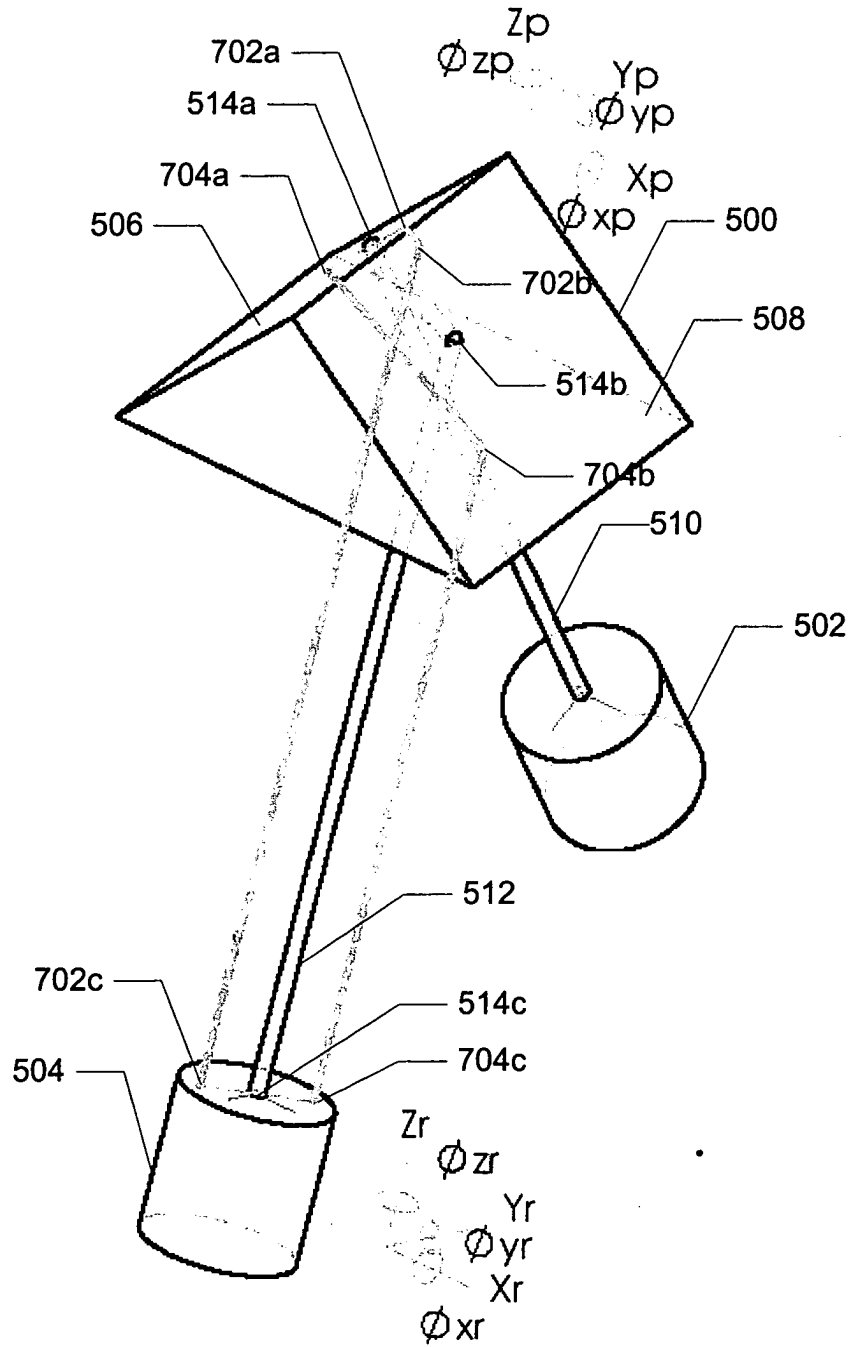


FIG. 7

FOR "429T660"

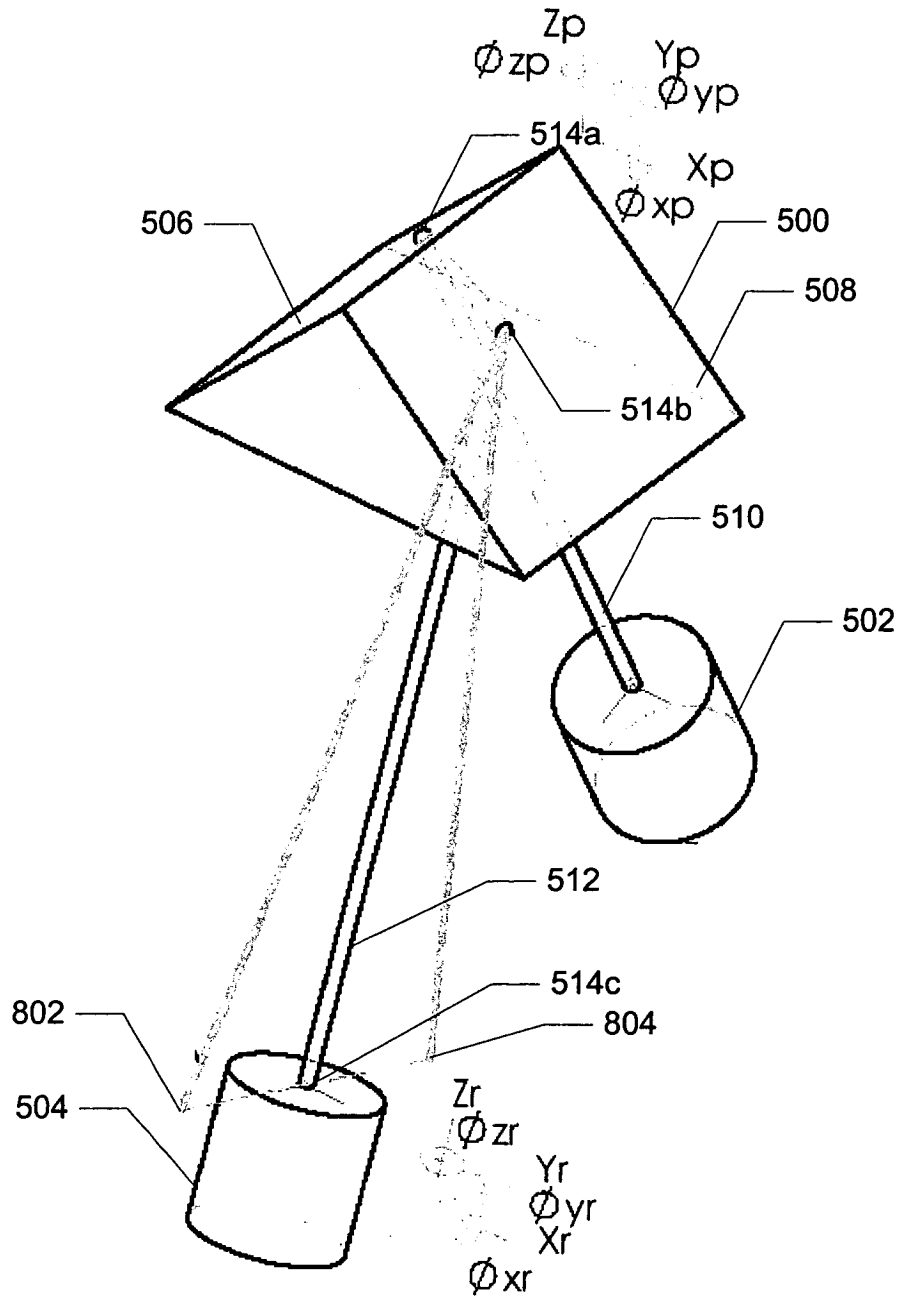


FIG. 8



9/22

09464429.0

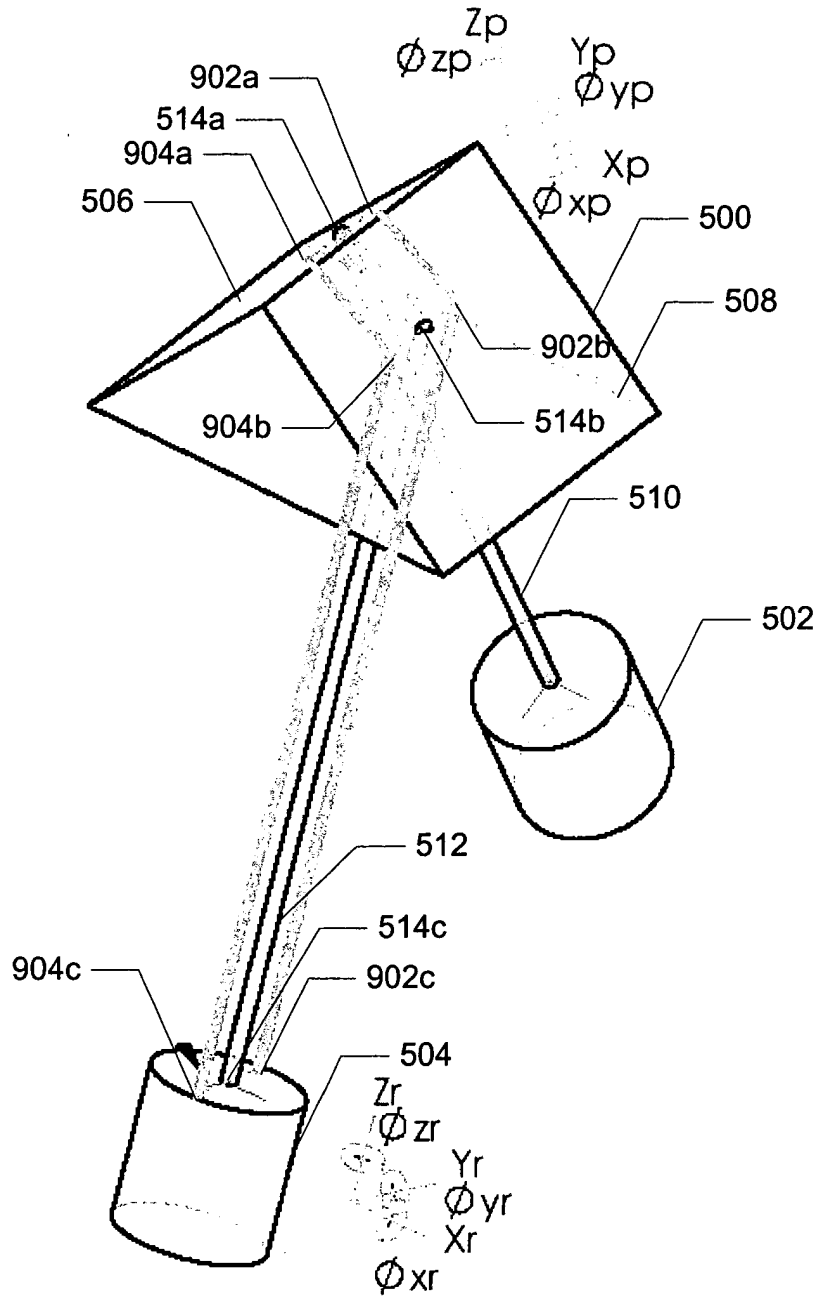


FIG. 9

FOR "429T550"

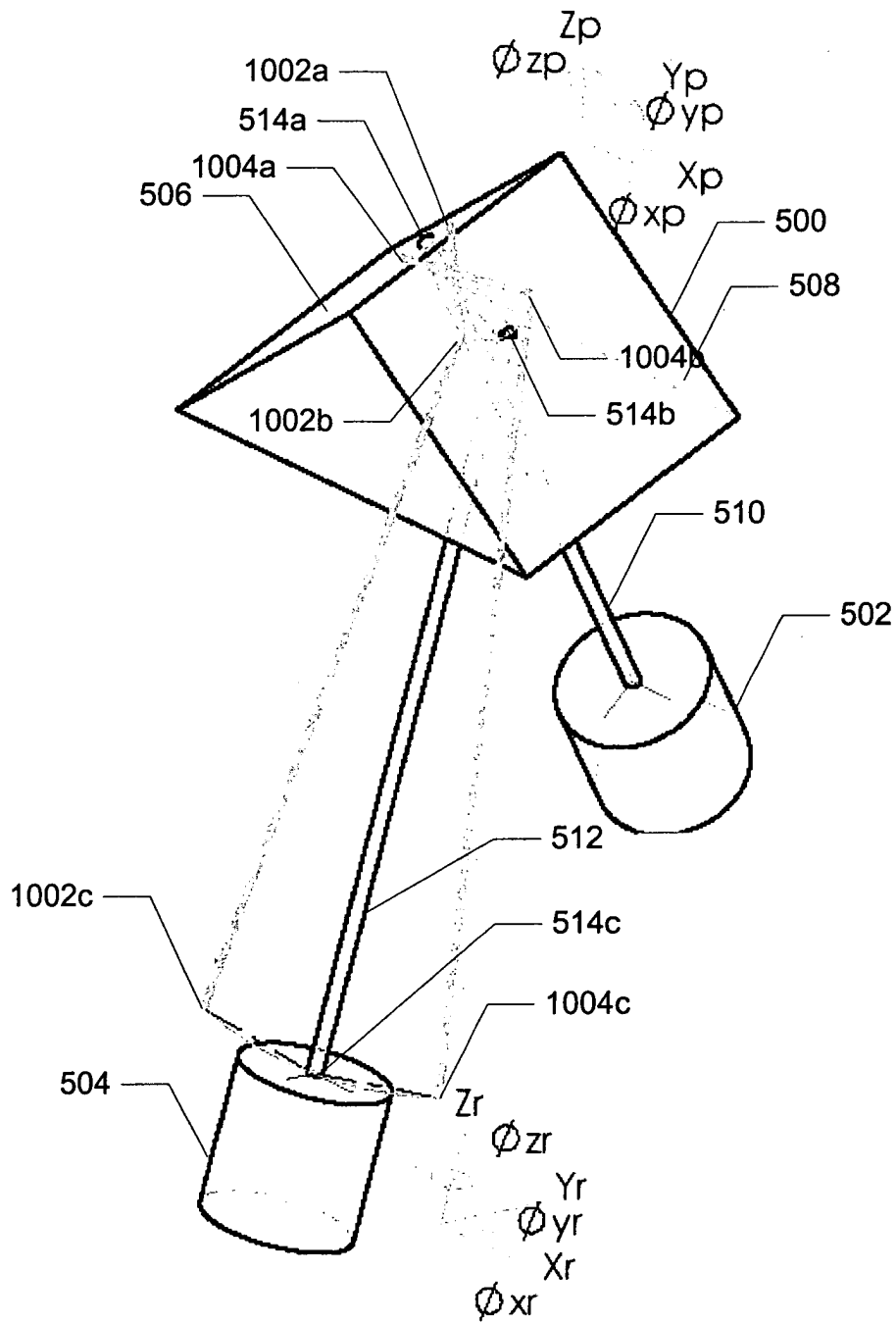


FIG. 10

FIG. 11

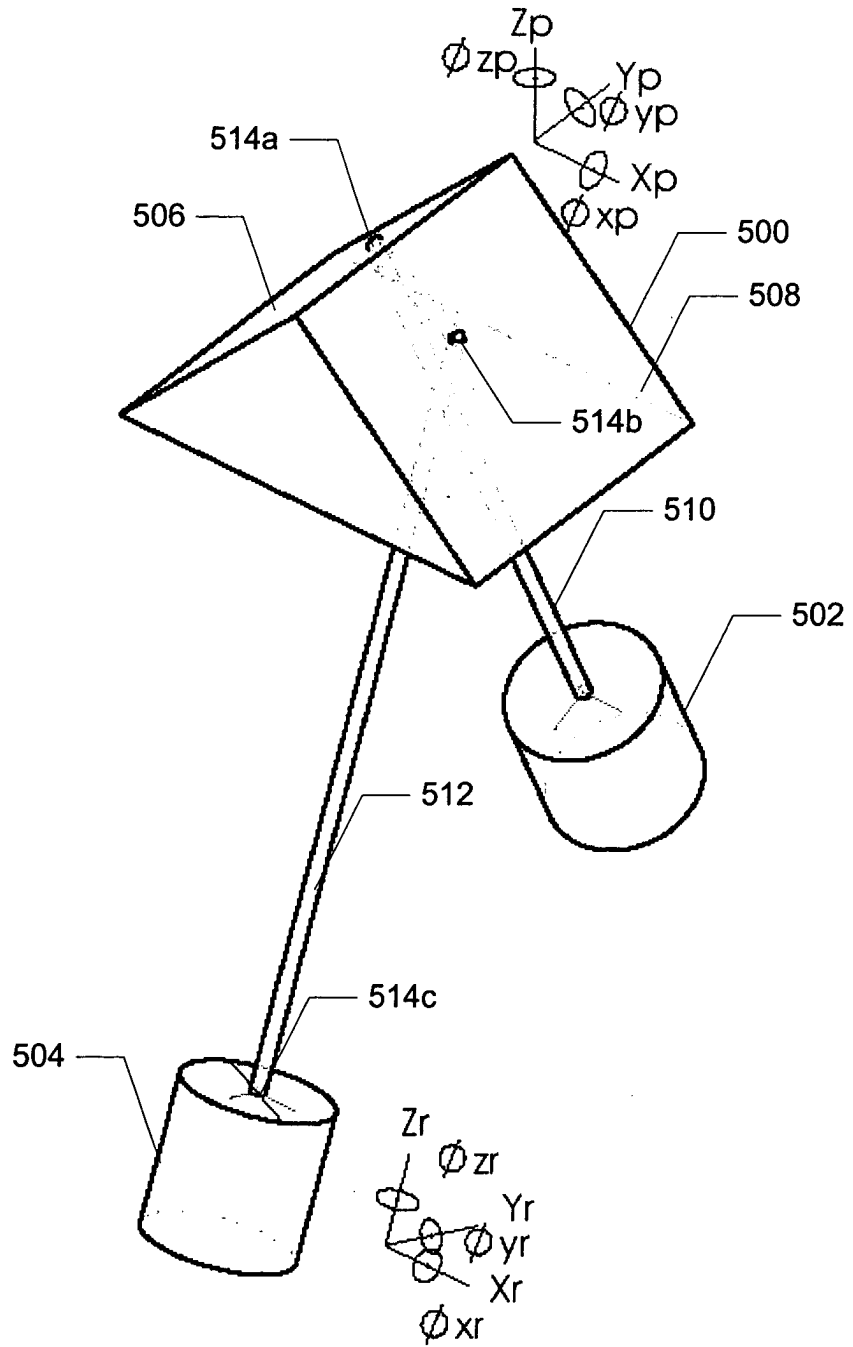


FIG. 11

12/22

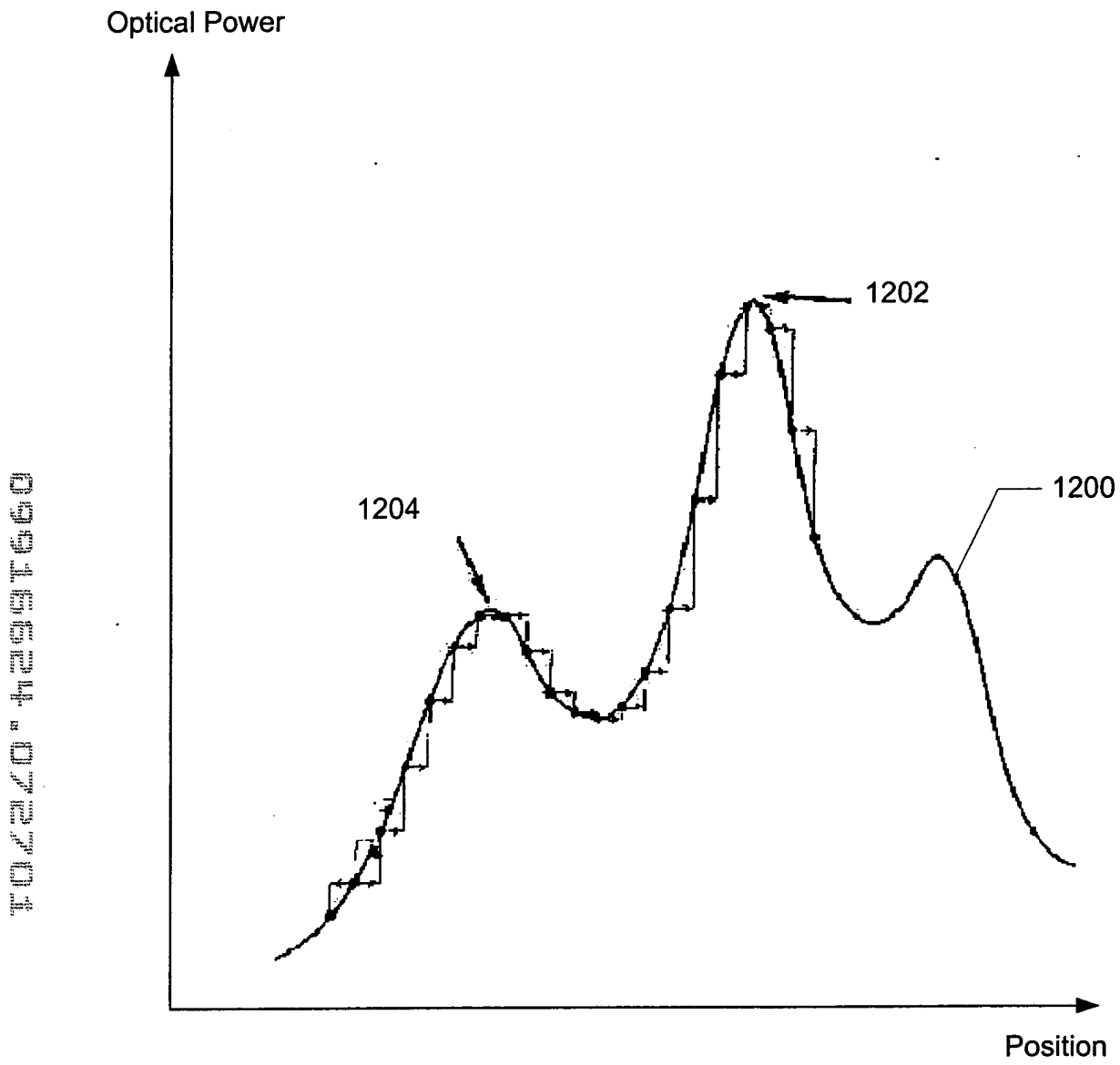


FIG. 12

13/22

FIG. 13

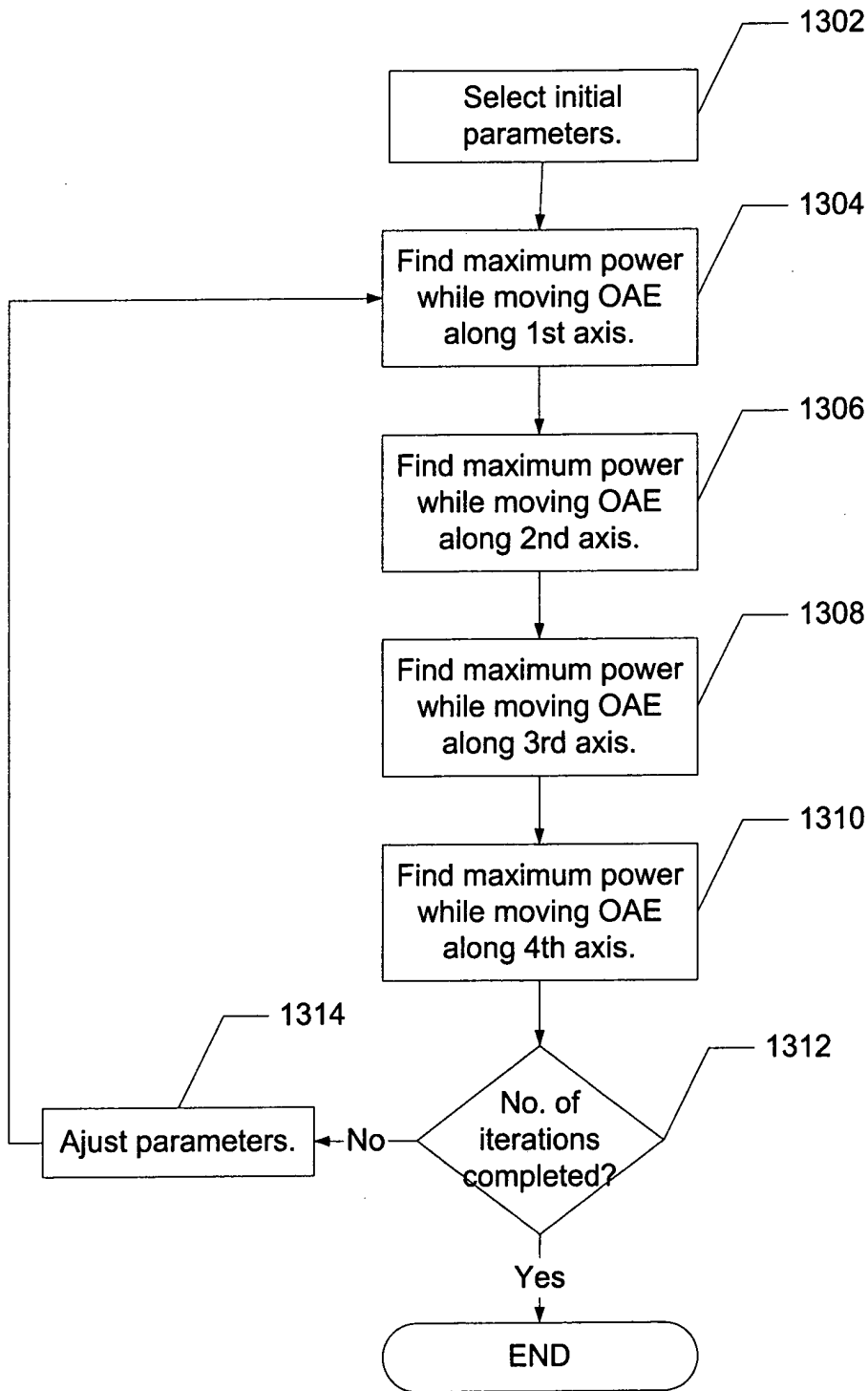


FIG. 13

14/22

FOR "TESTED"

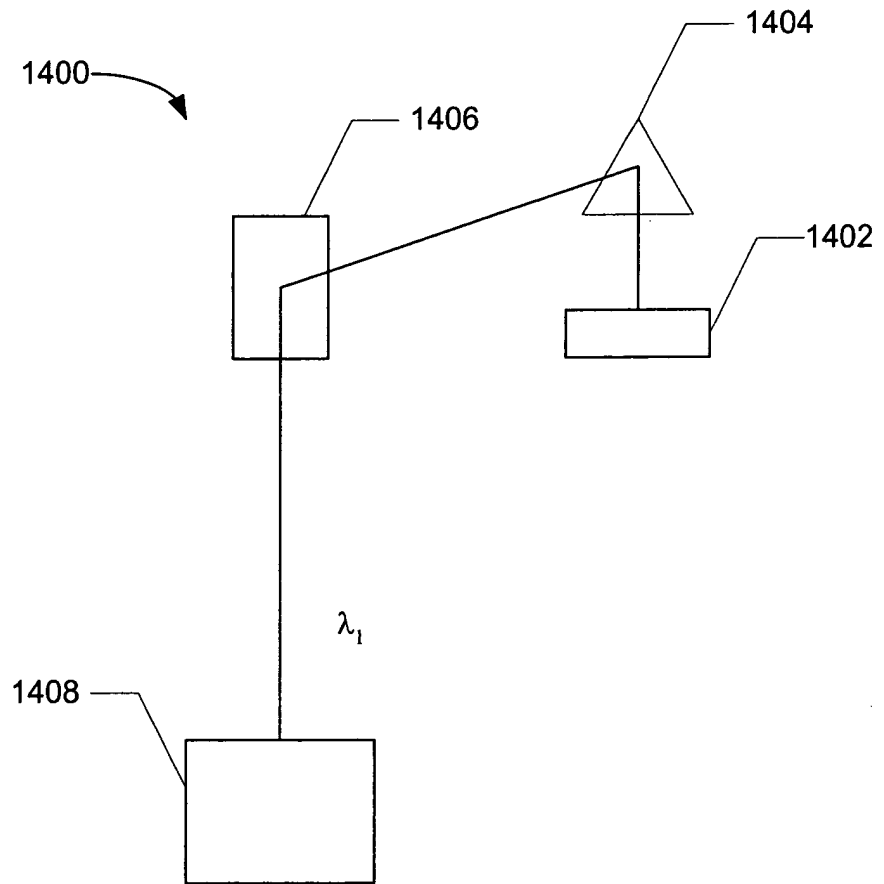


FIG. 14

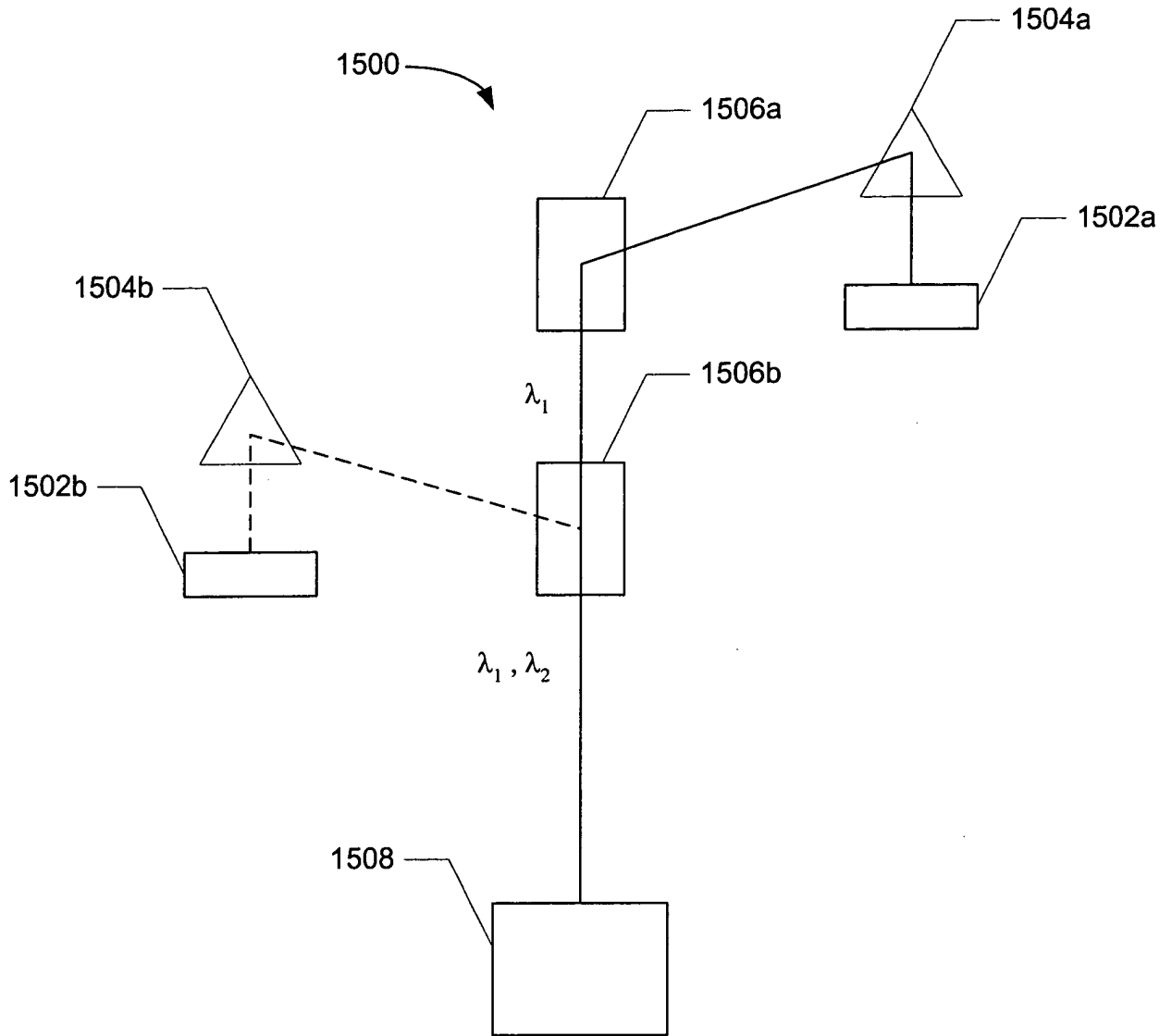


FIG. 15

FIG. 15

FIG. 16

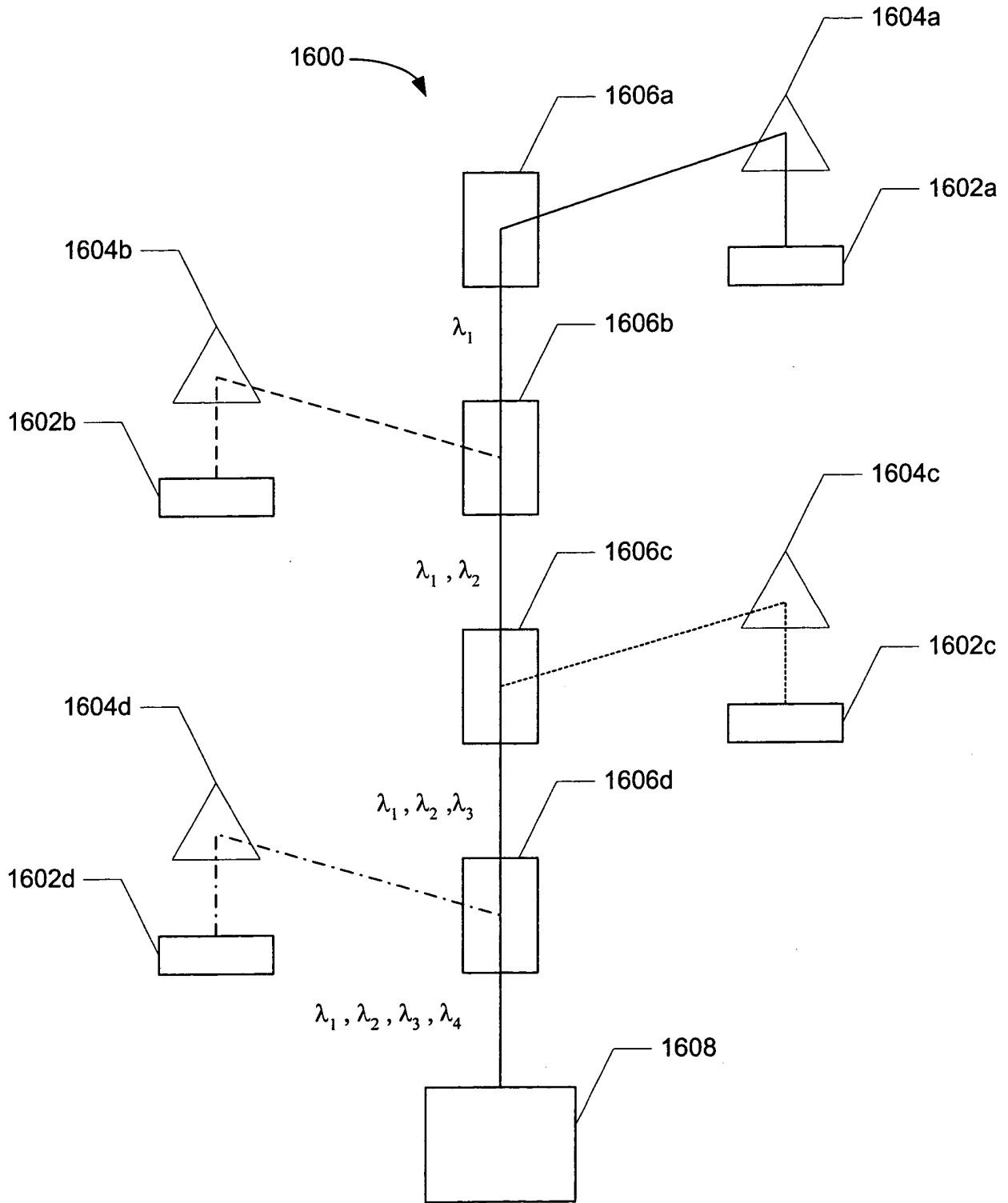
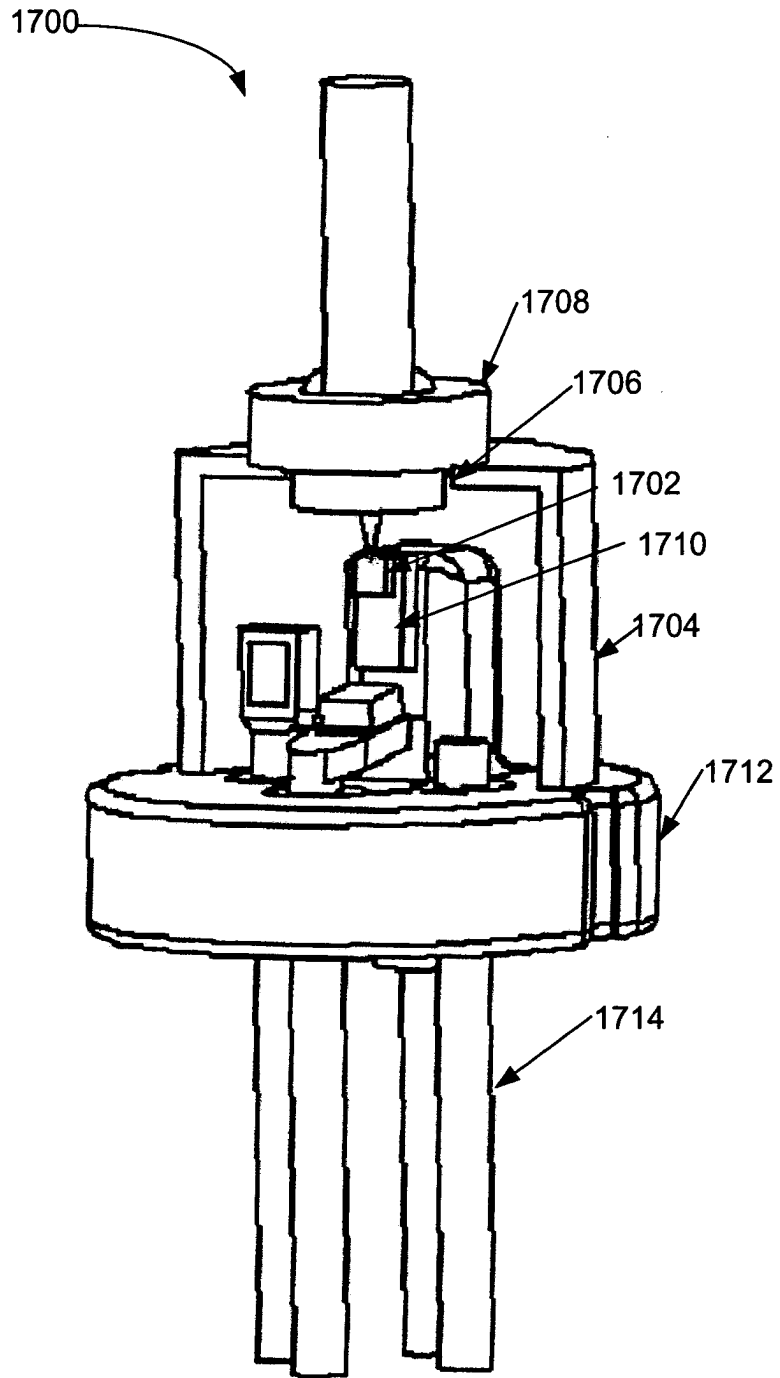


FIG. 16



17/22



FOR "429T650"

FIG. 17

18/22

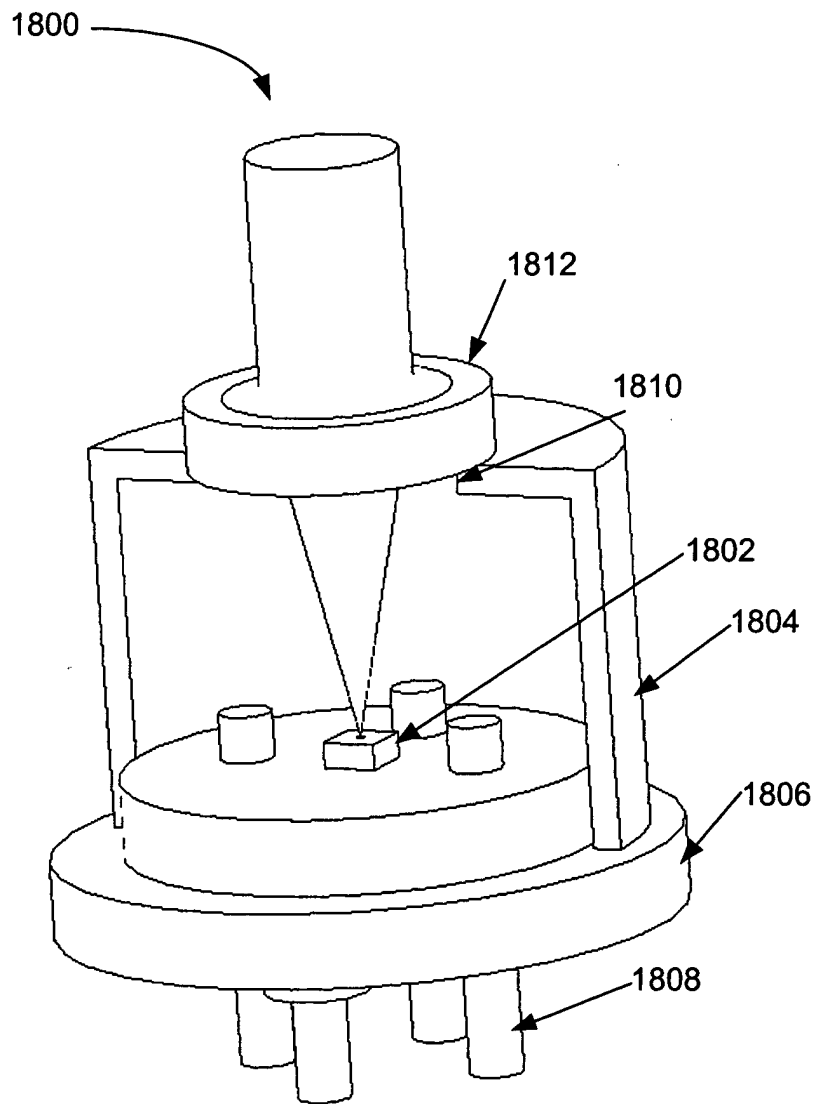


FIG. 18

FIG. 18

FOR RELEASE

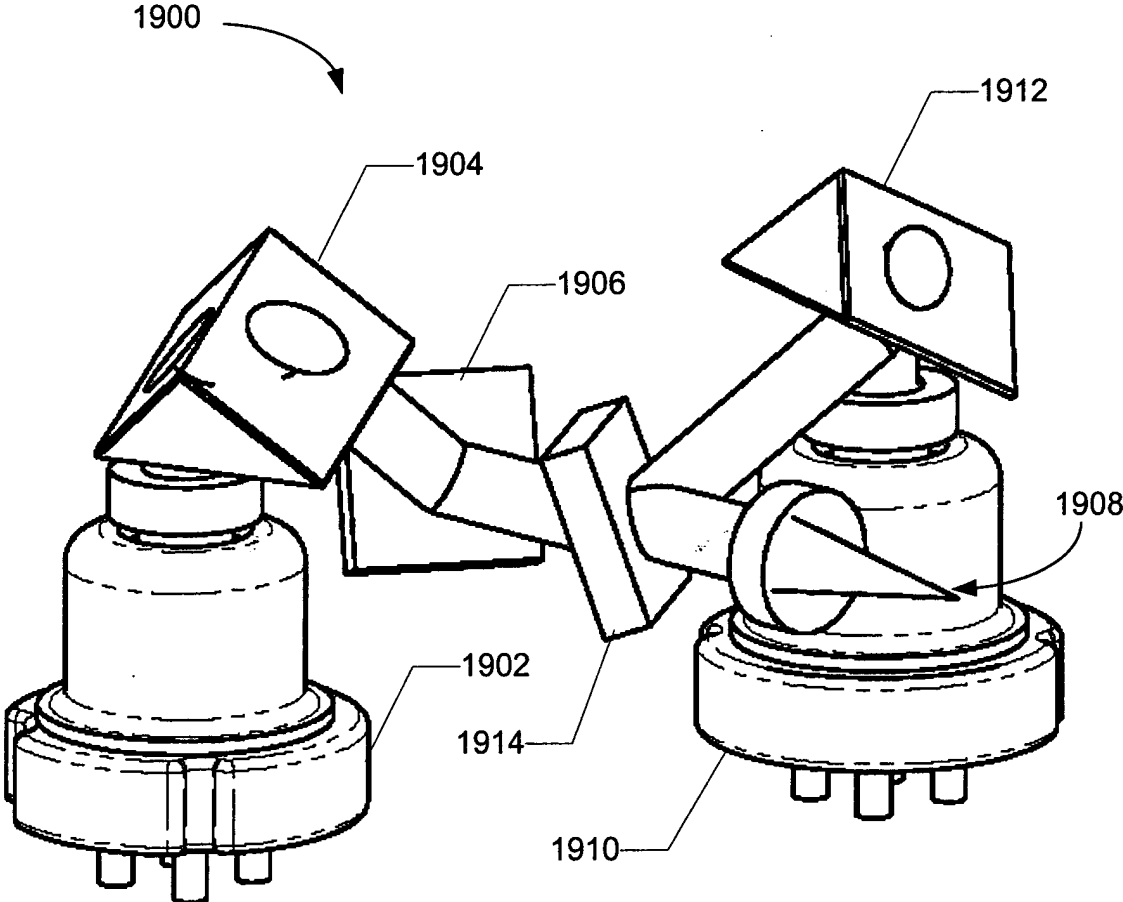


FIG. 19

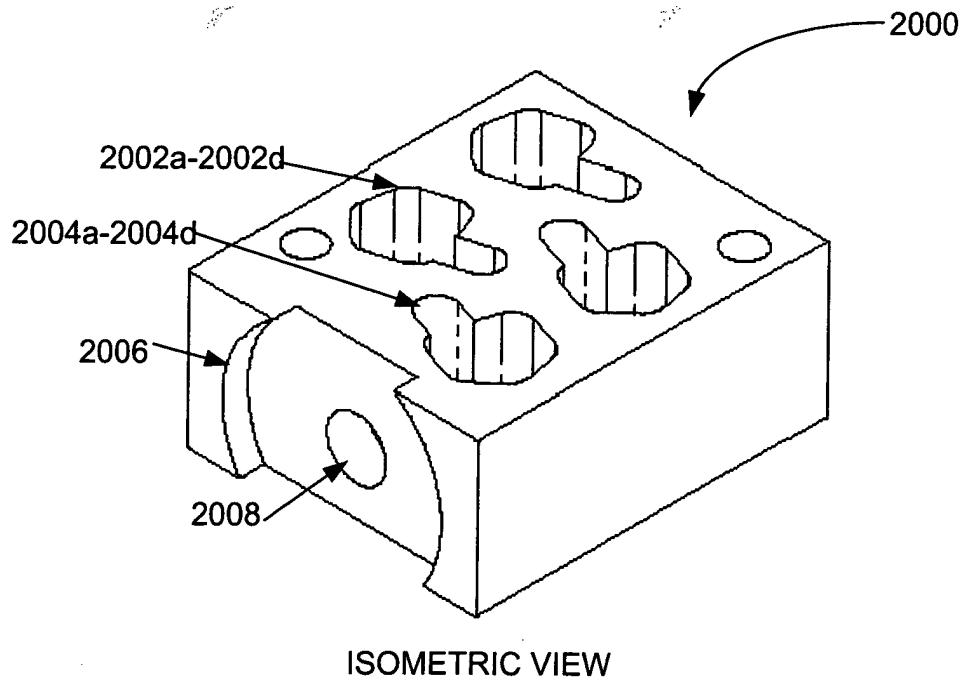
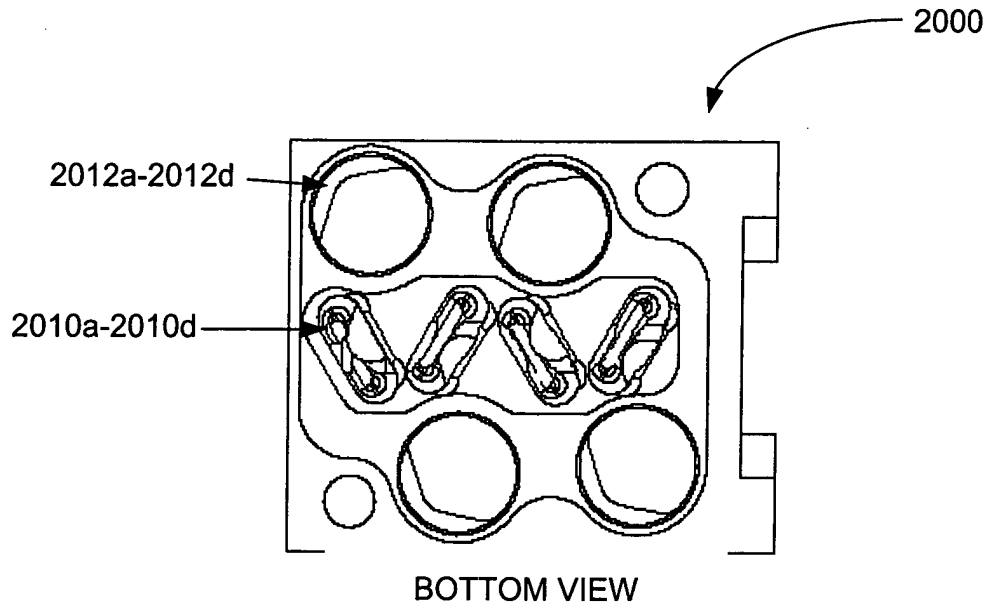


FIG. 20

FOR PUBLICATION

FOR "H29T660"

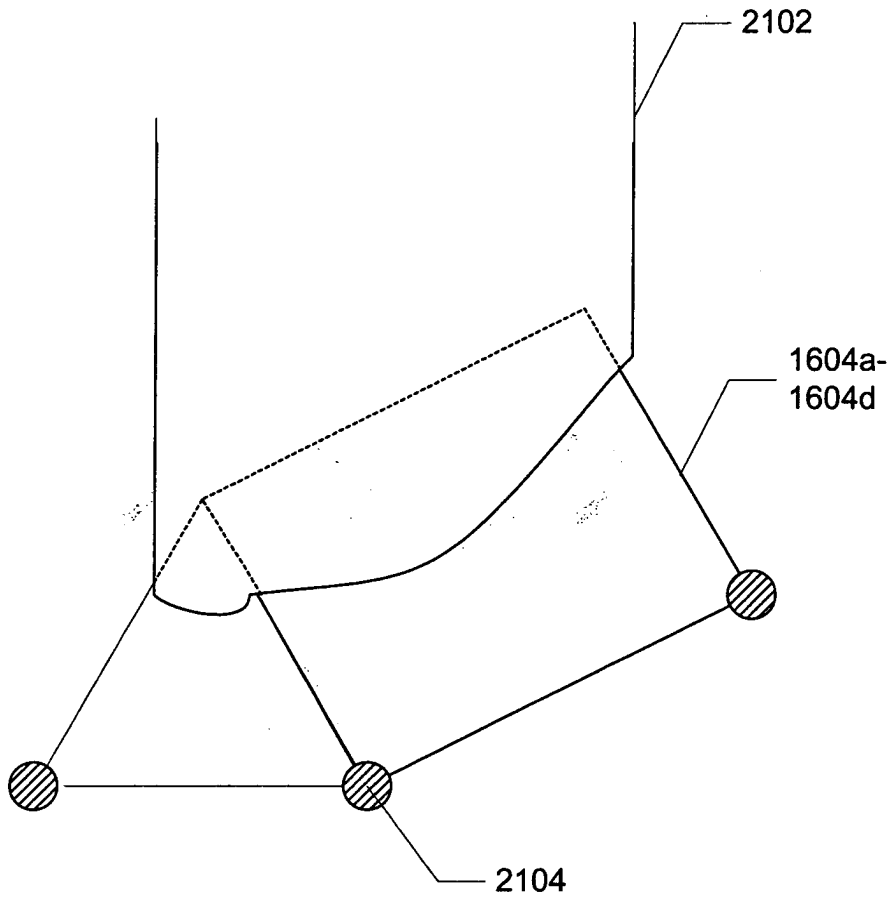
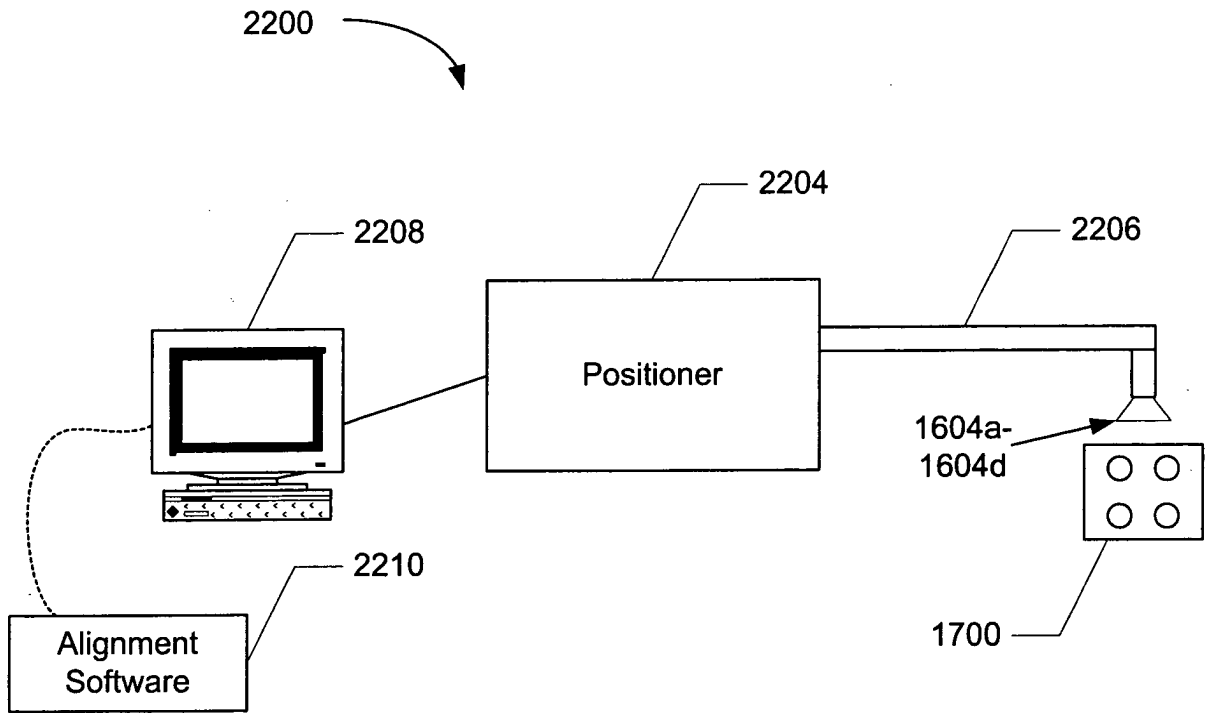


FIG. 21



FOR "POSTER"

FIG. 22